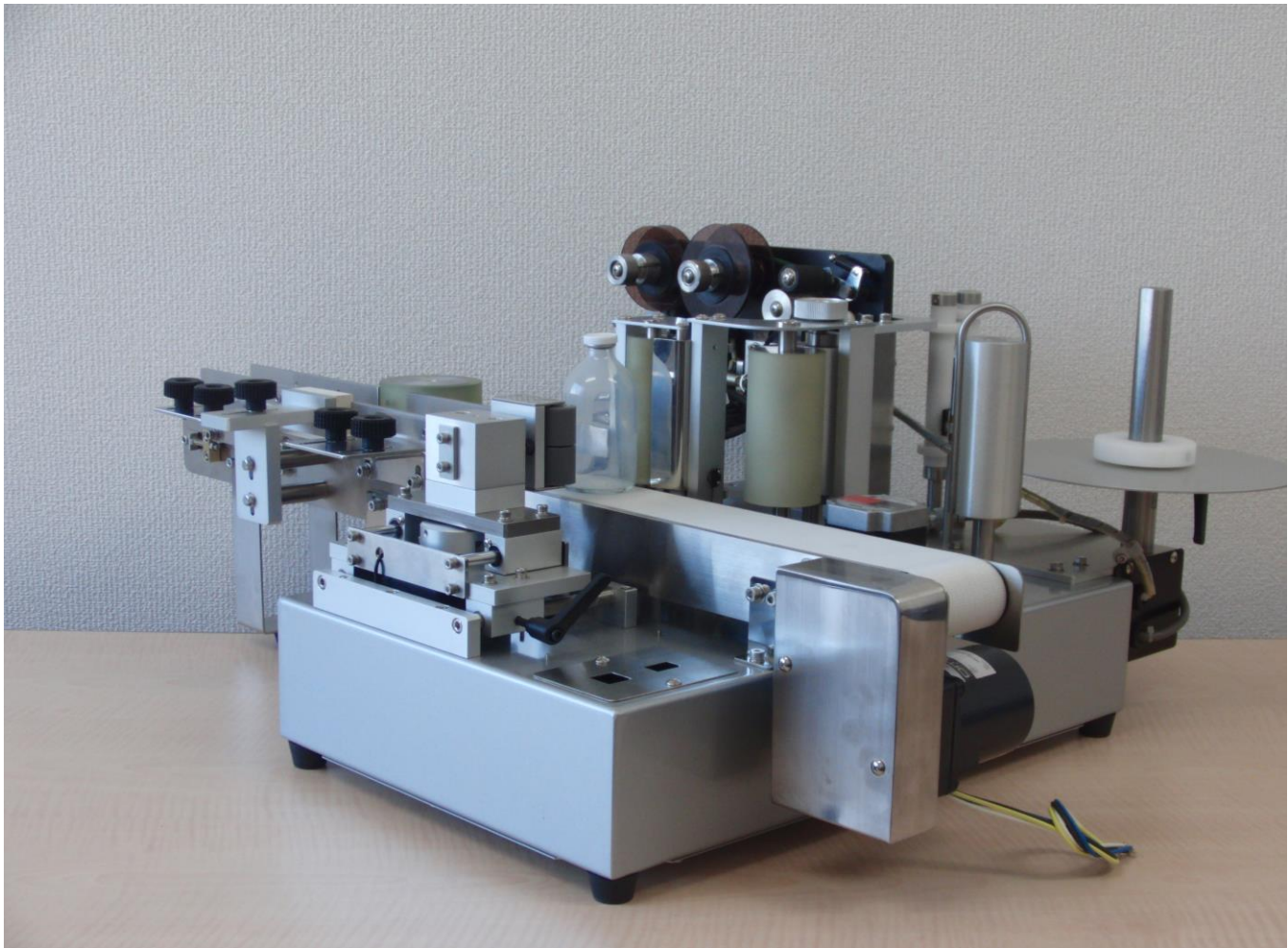


Table-top Compact Labeling Machine with Conveyor

Model: THL-5



<FEATURE>

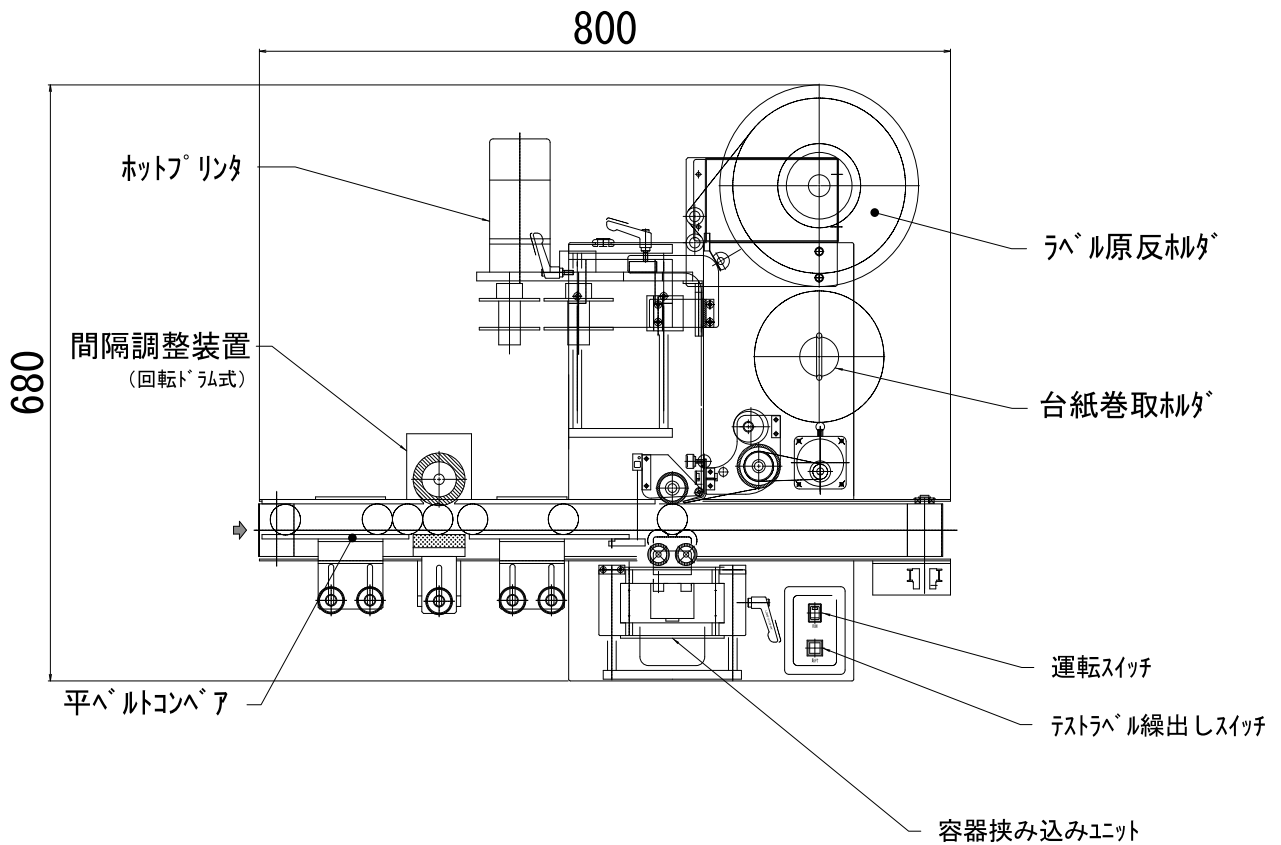
- No need for laying down products
- Labeling with minimum bend
- Space-saving Compact Labeler
- Conveyor: Continuous mode
Intermittent mode



Machine Design: **Sansei Seiki Co., Ltd.**
1-7-14 Sakae-cho, Kawaguchi City, Saitama 332-0017, Japan
E-mail: home@sanseiseiki.com <http://www.sanseiseiki.com>

Manufacturer & Sales **Mutual (Thailand) Co., Ltd.**
888/201 Moo 19 Soi Yingcharoen Project 2
Bangplee-Tamru Rd., Bangpleeyai,
Bangplee, Samutprakarn 10540, Thailand
Phone: +66(0)2-174-7276, Fax: +66(0)2-174-7272
E-mail: mut@mutual-thai.co.th <http://www.mutual-thai.co.th>

MUTUAL
株式会社 ミューチュアル



| MACHINE SPEC. | |
|------------------|---|
| ● CAPACITY | REGULAR USE: 10~20 BPM |
| ● LABEL SIZE | (H) 20mm~95mm |
| | (W) 45mm~200mm |
| ● LABEL SPEC. | ROLL TYPE TACK LABEL |
| | CORE ϕ 76mm O.Dia. Φ 200mm |
| ● CONTAINER SIZE | ROUND CONTAINER : ϕ 35~ ϕ 75mm |
| ● UTILITY | AC220V |
| ● OPTION | HOT PTINTER UNIT |
| | PRINT INSPECTION MACHINE |
| | DRUM TYPE SPACE ADJUSTER |

Machine Design: **Sansei Seiki Co., Ltd.**
 1-7-14 Sakae-cho, Kawaguchi City, Saitama 332-0017, Japan
 E-mail: home@sanseiseiki.com http://www.sanseiseiki.com

Manufacturer & Sales **Mutual (Thailand) Co., Ltd.**
 888/201 Moo 19 Soi Yingcharoen Project 2
 Bangplee-Tamru Rd., Bangpleeyai,
 Bangplee, Samutprakarn 10540, Thailand
 Phone: +66(0)2-174-7276, Fax: +66(0)2-174-7272
 E-mail: mut@mutual-thai.co.th http://www.mutual-thai.co.th

