

# Factory Automation & Robotics

Round-type compact machines linking with flexible holders that are suitable for the multiproduct production of bottles that easily topple or do not stand stably

连接最适合不能自立瓶和易倒瓶等多品种生产的自由夹具的圆型压缩机

## WIST HL-1 Ms HL-2 HL-4TR HL-6TR



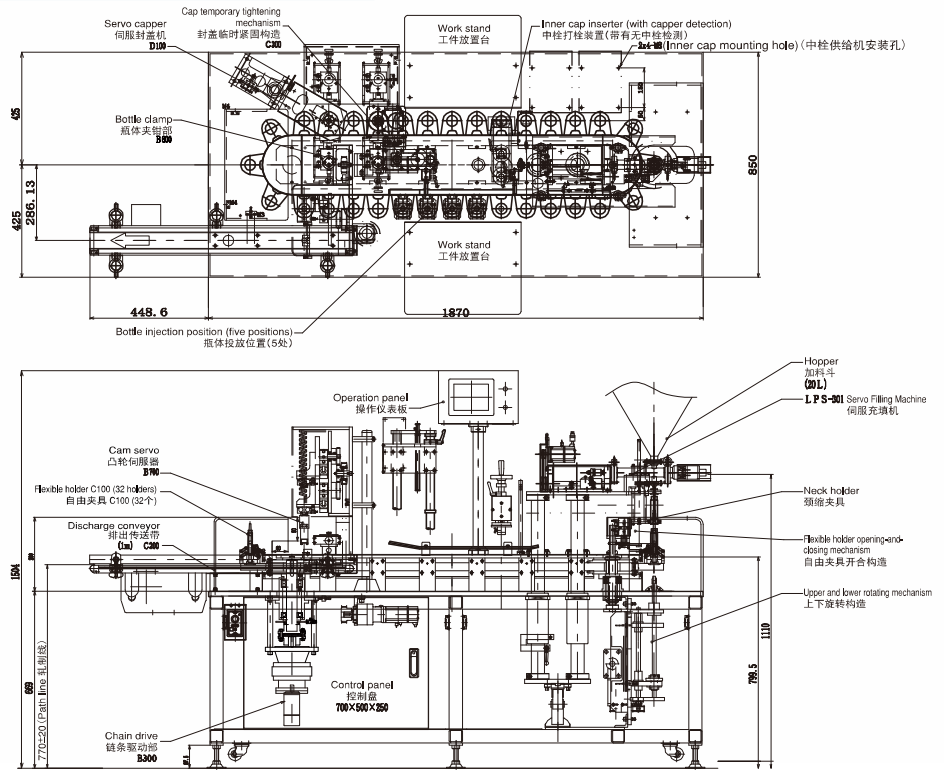
### Features

### 特征

- WIST's newly developed flexible holder incorporates unique link and curve claw mechanisms that chuck, pressurize, and transfer bottles. This excellent general-purpose holder stably transfers unstable bottles (e.g., mascara bottles) that have high gravity centers or a dispersed thicknesses range.
- The round-type single- or double-based machine transfers bottles in a smooth intermittent motion, and the quadruple- or sextuple-based machine transfers them in a stable continuous motion.
- By accommodating each work unit in the round, the system succeeded in great space saving with high maintenance performance attained.
- The round-type base machine completes the entire stages of filling, inner plugging, outer capping, and automatic discharge. The machine can be installed in narrow places, and is ideal for clean booths as well.
- Memorizing a total of 99 product types with their filling and capping conditions along with their discharged heights and styles.
- 新开发的WIST自由夹具通过独特的连杆构造和仿形爪，能够在对瓶体加压的状态下进行夹持和搬运，因此即使是像睫毛膏瓶这种瓶体细且重心高的瓶体或在粗度上有波动变化的瓶体，也能够稳定的进行搬运，是通用性优良的夹具。
- 圆型锥形机床的1、2联能以顺畅的间歇动作进行搬运，4、6联能以稳定的连续动作进行搬运。
- 通过将各作业单元收在圆圈内，实现了令人惊叹的省空间化和极高的保养性。
- 由于能在圆型的锥形机床内完成充填、打栓、封盖、自动排出等一连串工序，即使在狭小的空间内也能够设置，最适合在无尘室内进行设置。
- 能够通过充填、封盖条件和排出高度、姿势等记忆99个品种。



## Dimensional Drawing (HL-1Ms) 尺寸图(HL-1Ms)



HL-1Ms

**WIST**  
Factory Automation & Robotics

## Specifications 规格

	HL-1Ms	HL-2	HL-4TR	HL-6TR
Output 能力	30 bottles/min 30个 / 分钟	30 bottles/min 30个 / 分钟	40 bottles/min 40个 / 分钟	60 bottles/min 60个 / 分钟
Filling method 充填方法	Rotary degassing filling 旋转脱泡充填	Level follow-up filling 液面跟踪充填	Level follow-up filling 液面跟踪充填	Level follow-up filling 液面跟踪充填
Filling quantity 充填量	3.0 to 33.0 cc 3.0~33.0cc	5.0 to 88.0 cc 5.0~88.0cc	10.0 to 550.0 cc 10.0~550.0cc	10.0 to 550.0 cc 10.0~550.0cc
Number of filling heads 充填头数	Single 1联	Double 2联	Quadruple 4联	Sextuple 6联
Inner plugging 中栓打栓	Yes 有	Yes 有	Yes 有	Yes 有
Capping 封盖	Servo capper 伺服封盖	Servo capper 伺服封盖	Servo capper 伺服封盖	Servo capper 伺服封盖
Automatic discharge 自动排出	Yes 有	Yes 有	Yes 有	Yes 有
Base machine 锥形机床	Intermittent motion 间歇动作	Intermittent motion 间歇动作	Continuous motion 连续动作	Continuous motion 连续动作
Applicable products 对象商品	Mascara, eyeliner, lip gloss, and facial liquid foundation 睫毛膏、眼线膏、润唇膏、液态粉底霜	Liquid sample and liquid cosmetics in small bottles 液态样品、小件液体化妆品	Common liquid cosmetics 一般液体化妆品	Common liquid cosmetics 一般液体化妆品
Options 选配件	Automatic supply of bottles, inner caps, and outer caps Total collection system of production data (analyzer) Bottle-reversed air washing machine		瓶子、中栓、封盖自动供给 封盖数据全数收集系统(分析器) 瓶体倒转空气洗瓶机	

Distributor <销售商>

Manufacturer <制造商>

**WIST CO., LTD**

2-26, 3-chome, Hikaridai, Seikacho,  
Sorakugun, Kyoto 619-0237 Japan

**株式会社 WIST**

邮编619-0237 京都府相乐郡精华町光台3丁目2番26号

TEL.81-774-98-6767 FAX.81-774-98-6768

Website 主页: <http://www.wist.co.jp>

**WIST**  
Factory Automation & Robotics